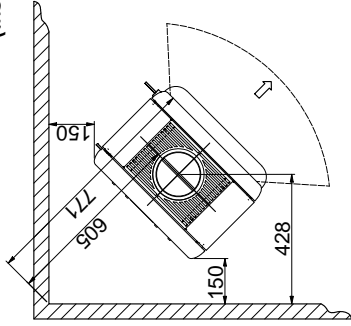
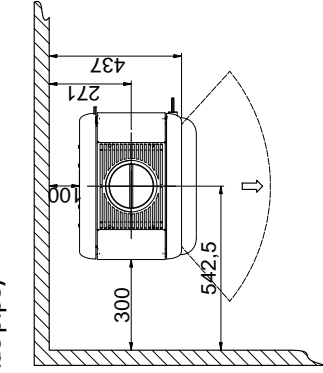
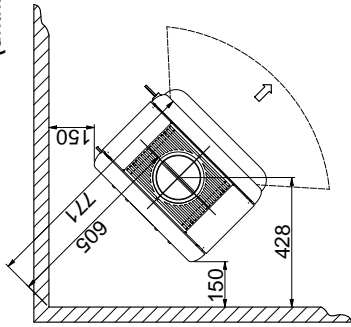
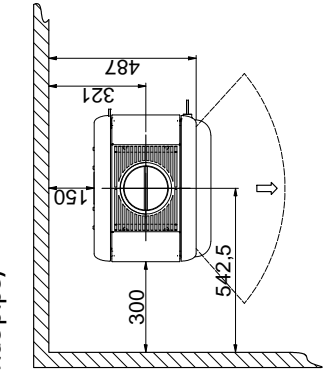


MINIMUM DISTANCES

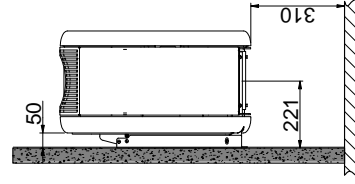
Minimum distance to flammable materials (insulated flue pipe)



Minimum distance to flammable materials (uninsulated flue pipe)

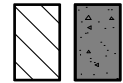
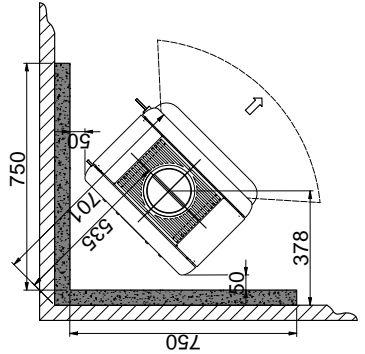
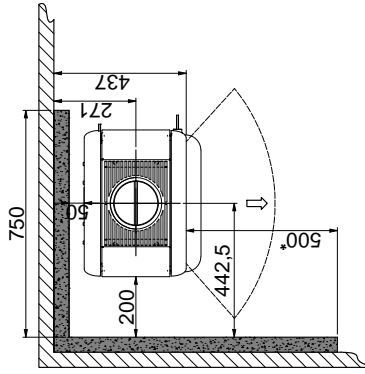
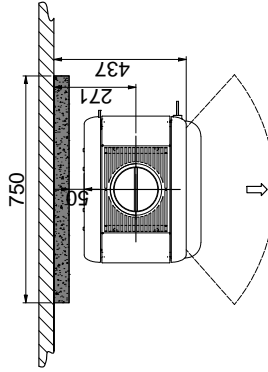


Minimum distance to flammable floor (wall model)



The wall model is only to be mounted on a non-combustible wall!

Minimum distance to flammable wall protected by a fire wall



All distances are in mm.  
 All distances are minimum distances  
 These distances apply for an uninsulated flue pipe/insulated flue pipe, all the way down to the stove  
 \* Distance to glass