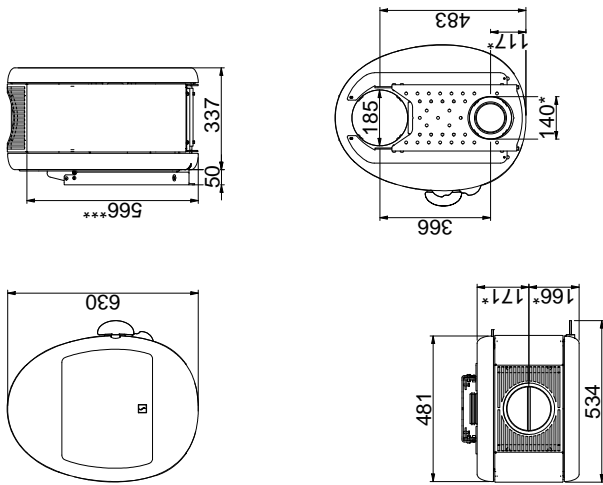
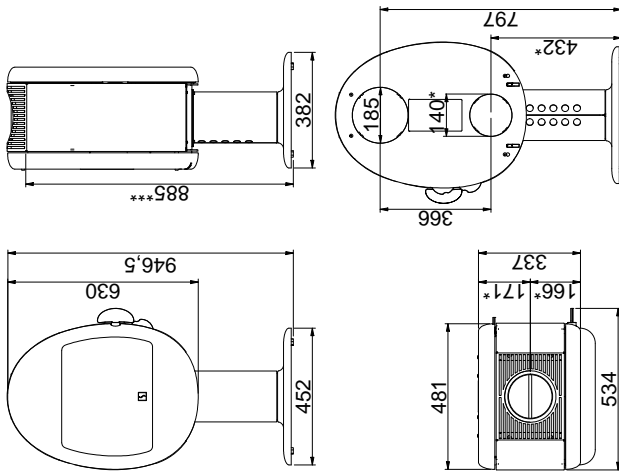


DIMENSION SKETCH AND MINIMUM DISTANCES

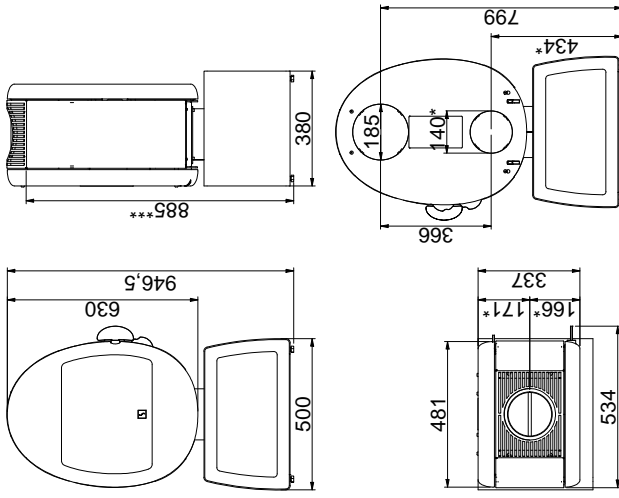
Scan 66-1



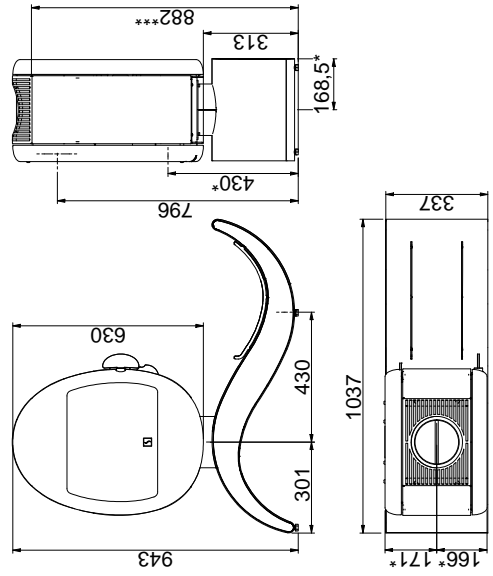
Scan 66-2



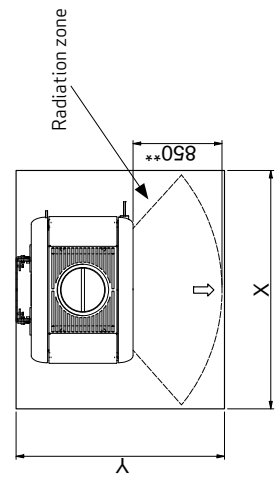
Scan 66-4



Scan 66-5



Floor plate



X / Y according to national laws and regulations



All distances are in mm.
 All distances are minimum distances
 * Connection of fresh-air intake - external diameter Ø 100 mm
 ** Min. distance to furniture/flamable material
 *** Height to the beginning of flue connecting piece at top outlet